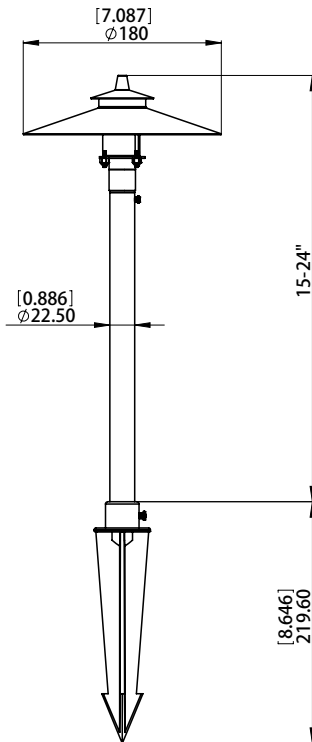


LANDSCAPE LIGHTING

Heavy Duty Antique Brass Path Light



| | |
|-----------------------|---------------------------|
| PART NO. | L2FP2712VADG4B |
| FINISH: | Antique Brass |
| MATERIAL: | Solid Brass |
| GLASS: | Clear Lens |
| DIMENSIONS | |
| LENGTH: | Adjustable 15 - 24" |
| WIDTH: | N/A |
| DIAMETER: | 7.1" / 0.9" |
| DEPTH: | N/A |
| LIGHT SOURCE | |
| LIGHT SOURCE: | G4 LED BULB |
| VOLTAGE: | 12V AC/DC |
| SOCKET TYPE: | Fixed GU 5.3 socket |
| WIRE TYPE: | 3' SPT-2W 18G/2 lamp wire |
| COLOR TEMP: | 2700K |
| LUMENS: | 300 lm |
| SHIPPING | |
| CARTON DEPTH: | 4.8" |
| CARTON WIDTH: | 6.8" |
| CARTON HEIGHT: | 18.2" |
| CARTON WEIGHT: | 3.0 lbs. |



RoHS

CE

UL US
LISTED
E364143

PRODUCT FEATURES

- Elegant, timeless design crafted with the highest quality materials
- Durable solid brass construction
- Antique brass finish
- Use with low voltage 12V transformers
- Lifetime limited warranty
- Heavy duty PVC stake

| Part No. | Bulb Type |
|-------------------|----------------------------|
| L2FP2712VADG4B-27 | Single CCT G4 Bulb (2700K) |

L2FP2712VADG4B-27

